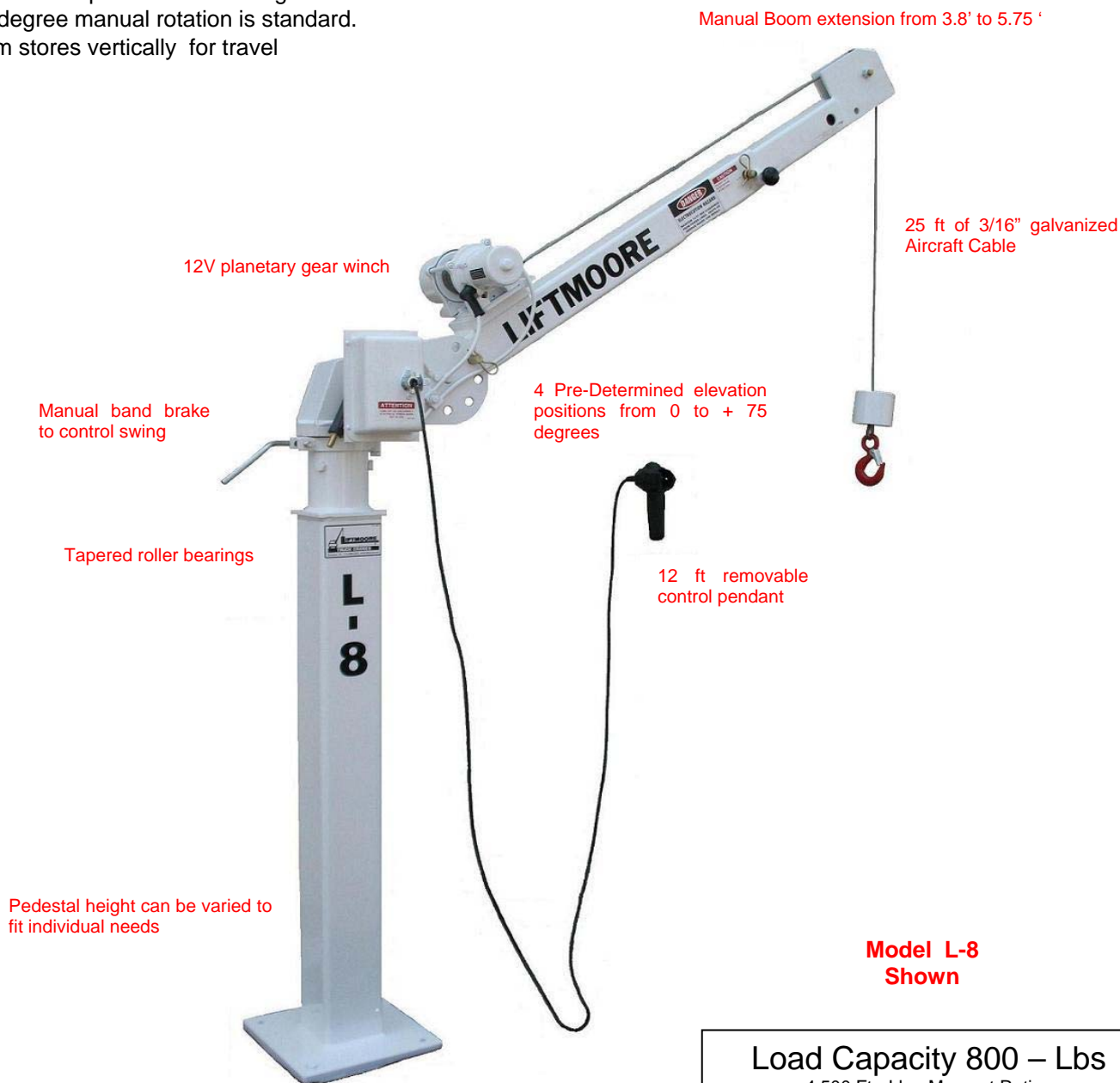


LIFTMOORE L-8 CRANE

4,500 FT.-LB. MOMENT RATING
800 LB. MAXIMUM CAPACITY

- The L-8 crane is ideal for lifting heavy objects into ½ and ¾ ton pickups.
- In the horizontal position the boom telescopes from 3.8 ft to 5.75 ft. with one intermediate position at 4.8 ft.
- 4 Boom elevation positions ranging from horizontal to 75 degrees.
- Maximum lift capacity is 800 lbs. at any boom angle or extension.
- Planetary gear reduction winch for best possible efficient operation.
- 25 ft of 3/16" galvanized Aircraft Cable (4200 lbs. breaking strength)
- Rotates on tapered roller bearings for ease of movement.
- 360 degree manual rotation is standard.
- Boom stores vertically for travel



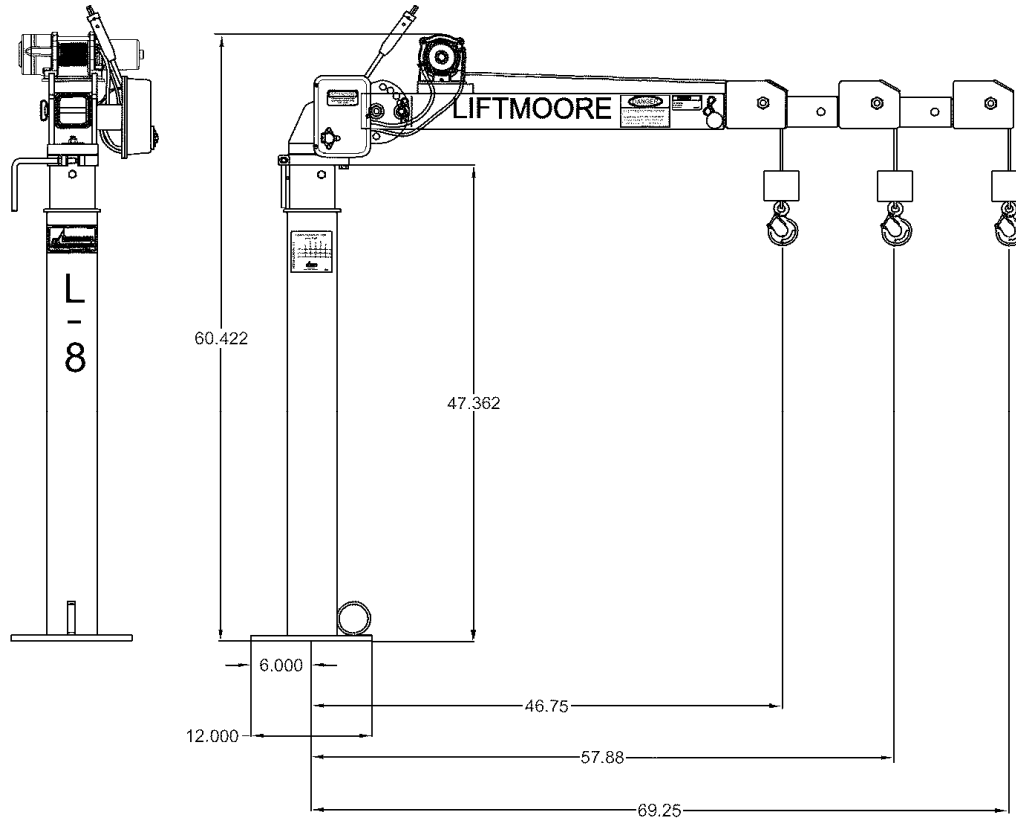
Load Capacity 800 – Lbs
4,500 Ft.- Lbs. Moment Rating

With its 800 lb Max capacity, this compact unit will meet the needs of many. It is capable of lifting its max capacity in any boom position at any elevation.



HOUSTON, TEXAS
FAX: (800) 824-5559 (USA & Canada)
FAX: (713) 688-6324
PHONE: (713) 688-5533
www.liftmoore.com

L-8 SPECIFICATIONS



HOIST WINCH:

The Hoist winch uses a planetary gear drive for most efficient operation. The winch is powered by a permanent magnet electric motor. The single line capacity of the winch is 1000 lbs. An integral mechanical brake is included with the winch.

Winch performance is as follows.

Load (lbs)	Hook speed (Ft. Min.)	Amp Draw
0	30	25
350	25	48
750	22	86

WIRE ROPE and SHEAVES:

The crane is supplied with 25 Ft. of 3/16 in. galvanized aircraft cable with a 4200 Lb. breaking strength. All sheaves meet ANSI requirements.

ROTATION:

The crane is standard with 360 degrees of continuous and unlimited manual rotation. The crane rotates on tapered roller bearings. A manual band brake is included to help control rotation and swing.

BOOM: The standard boom can be manually extended from 3.8 ft. to 5.75 ft. with one intermediate position at 4.8 ft. in the horizontal position. The boom can be set at four positions between horizontal and 75 Degrees. It will store vertically reducing space requirements when not in use.

PENDANT CONTROL:

A 12 Ft. control is supplied with each crane. The function is controlled by a weather resistant momentary contact toggle switch. The pendant control is removable to prevent unauthorized use of the crane. An optional 20 ft. cord is available

ELECTRICAL:

The vehicle's 12-volt DC system powers the crane. A second battery near the crane is advised. This will maintain the voltage at the highest possible level and extend the life of the crane's motor and contactor.

25 Ft. of battery cable with quick disconnects, a 3-Ft. ground wire and a 150 Amp circuit breaker are supplied with each crane.

PEDESTAL:

Pedestal height of 47 In. from base of mounting plate to point of rotation is standard. This can be shortened to 9.25 In. to accommodate mounting on service body compartment top. (Special heights can be produced upon request)

MOUNTING: A minimum 8,600 Lb. GVWR recommended.

Four ½ in. X 2-3/4 In. long grade 8 bolts are supplied. The base plate is a 12-In. square with a 9.5-In square bolt pattern.

ACCESSORIES:

A jackstand or outrigger is necessary on most installations to keep the truck as level as possible and reduce the load on the rotation bearings as well as the truck's springs, axle, wheels and tires.



HOUSTON, TEXAS
 FAX: (800) 824-5559 (USA & Canada)
 FAX: (713) 688-6324
 PHONE: (713) 688-5533
 www.liftmoore.com

Bulletin 465-A 12/30/13